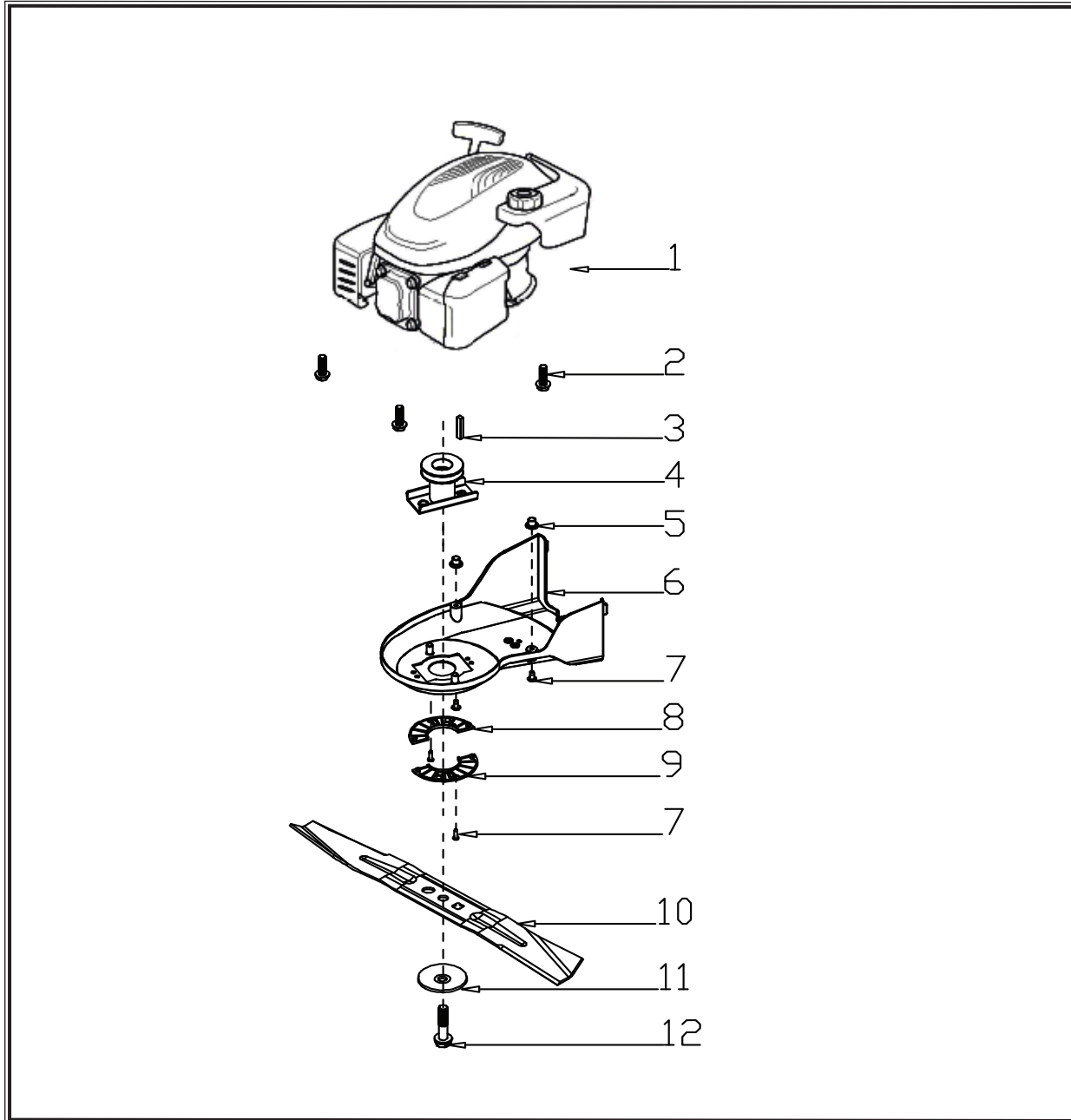
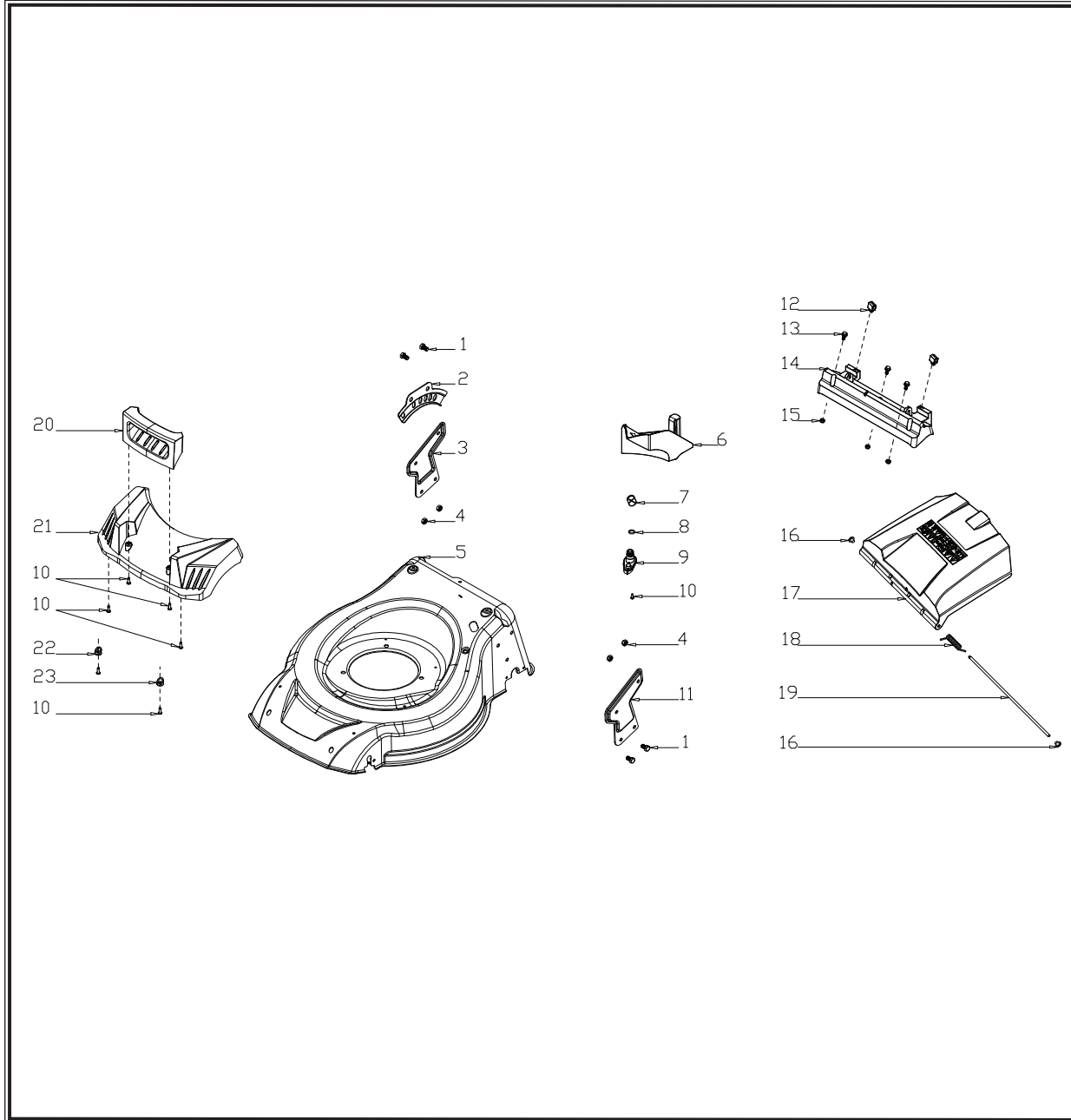


POS.	CODE	DESCRIPTION	QTY
1	A06566	CLUTCH LEVER	1
2	A06567	BRAKE LEVER	1
3	A06450	LIMITING STOPPER	1
4	A06451	FOAM PIPE	1
5	A06452	UPPER HANDLE	1
6	A06453	NUT	2
7	A06454	CABLE FIXING CLAMP	1
8	A06455	BRAKE CABLE	1
9	A06456	CLUTCH CABEL	1
10	A06457	BOLT	1
11	A06458	LOWER HANDLE	1
12	A06459	BOLT	4
13	A06460	FLAT WASHER	4
14	A06461	KNOB	4
15	A06462	ROPE GUIDE	1
16	A06463	CABLE SUPPORT	1
17	A06464	BOLT	2
18	A06465	NUT	2
19	A06466	HANDLE PLUG	2

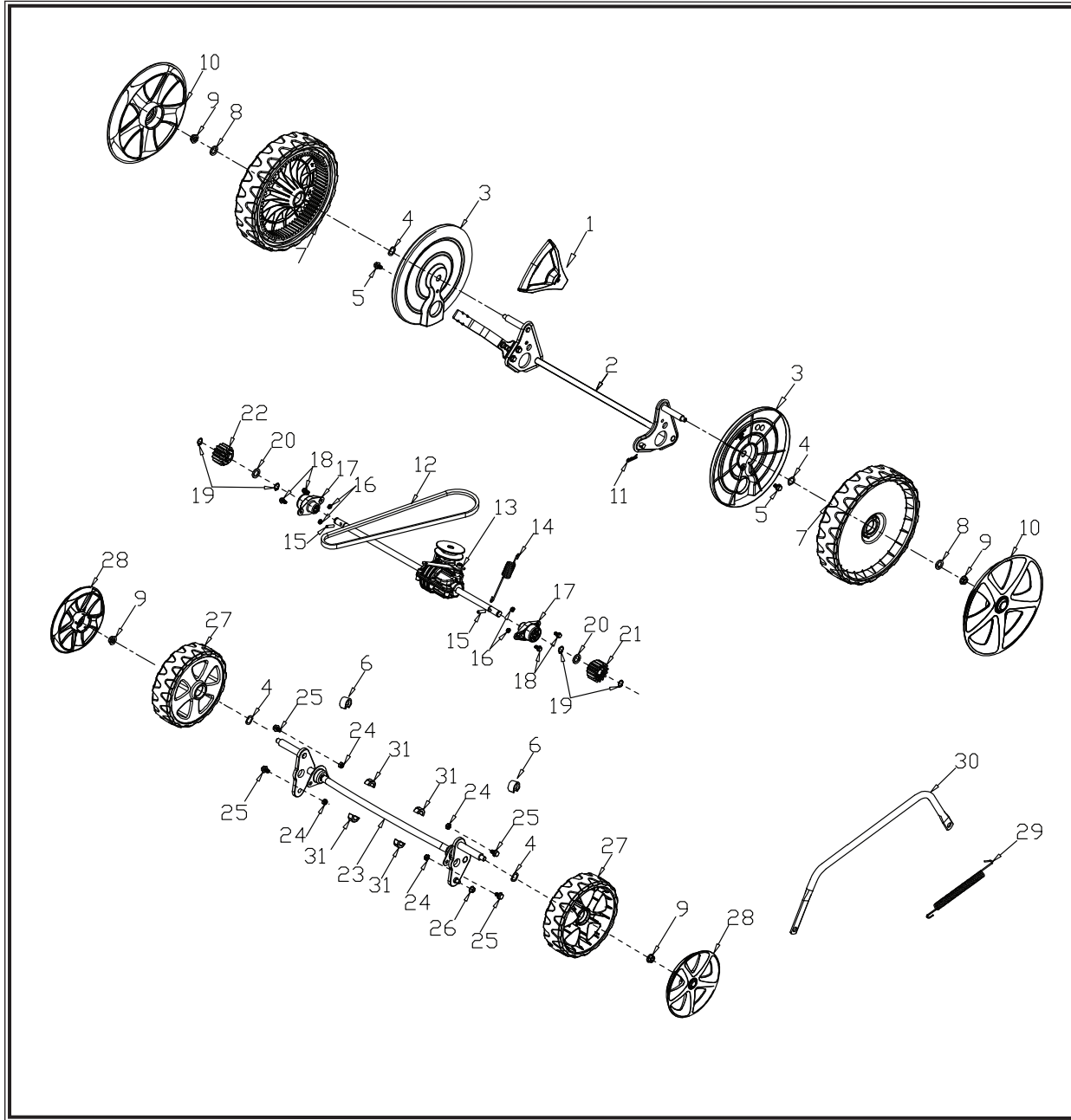


POS.	CODE	DESCRIPTION	QTY
1	46406	ENGINE RV175 (*)	1
2	A06468	BOLT	3
3	A06469	FLAT KEY	1
4	A06470	BLADE ADAPTER	1
5	A06471	SCREW CAP	2
6	A06472	BELT COVER	1
7	A06535	SCREW	4
8	A06474	BELT COVER PLATE	1
9	A06475	BELT COVER PLATE	1
10	A06476	19" BLADE	1
11	A06477	BLADE WASHER	1
12	A06478	BLADE BOLT	1

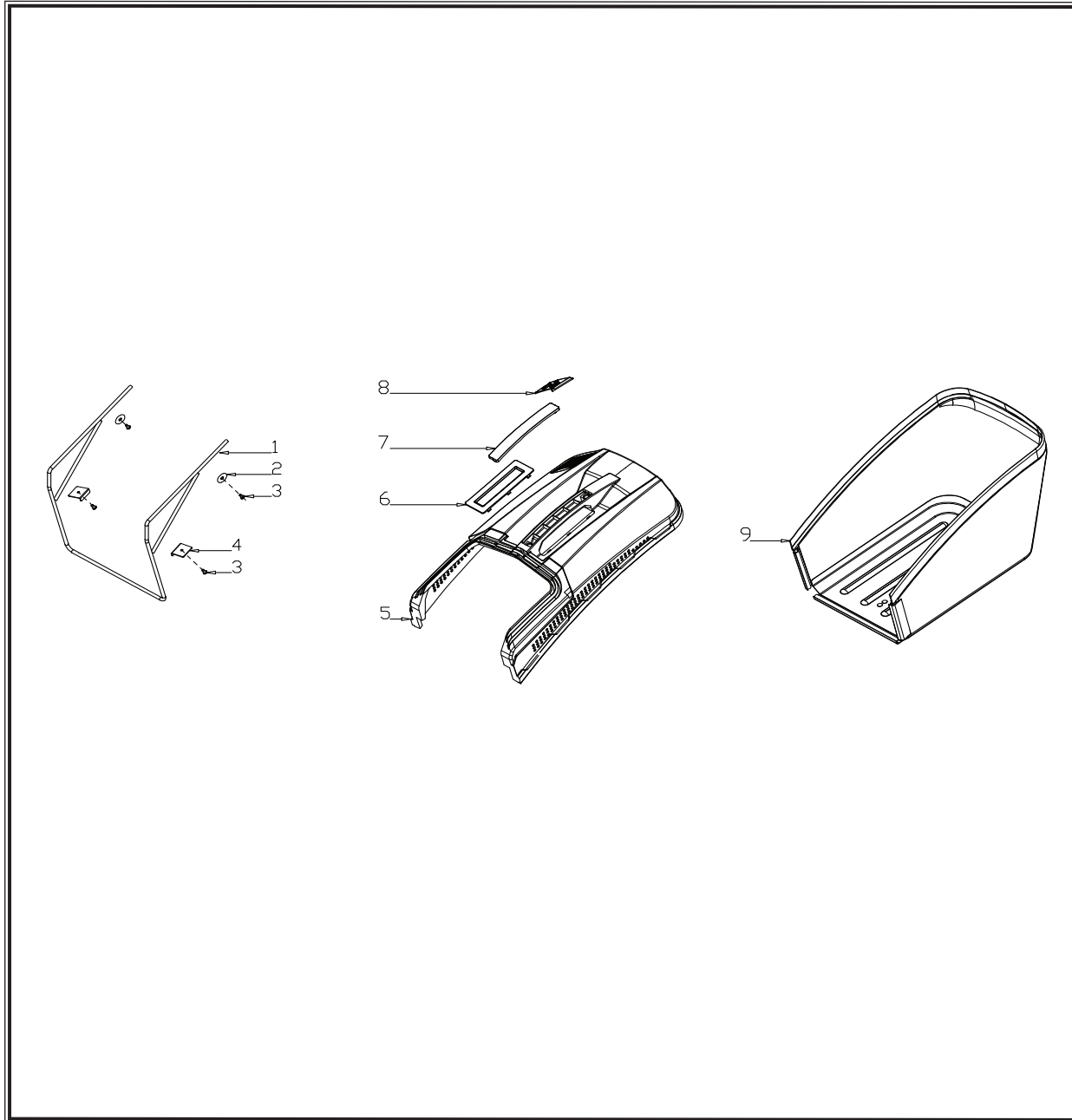
* for further information see the exploded view RV175



POS.	CODE	DESCRIPTION	QTY
1	A06479	BOLT	4
2	A06480	HEIGHT ADJUSTMENT PLATE	1
3	A06481	RIGHT BRACKET	1
4	A06482	NUT	4
5	A06483	DECK	1
6	A06484	MULCHING PLUG	1
7	A06485	CABLE SLEEVE	1
8	A06486	O-RING	1
9	A06487	WASHING LINKER	1
10	A06488	SCREW	7
11	A06489	LEFT BRACKET	1
12	A06490	REAR COVER SUPPORT	2
13	A06491	BOLT	3
14	A06492	REAR COVER PEDESTAL	1
15	A06525	NUT	3
16	A06494	PLUG	2
17	A06495	REAR COVER	1
18	A06496	REAR COVER SPRING	1
19	A06497	REAR COVER SHAFT	1
20	A06498	FRONT PLASTIC FACE HANDLE	1
21	A06499	FRONT PLASTIC FACE	1
22	A06500	WASHER R	1
23	A06501	WASHER L	1



POS.	CODE	DESCRIPTION	QTY
1	A06502	HEIGHT ADJUSTMENT HANDLE	1
2	A06503	REAR WHEEL SHAFT	1
3	A06504	INNER WHEEL COVER	2
4	A06505	SPRING WASHER	4
5	A06506	BOLT	2
6	A06507	BUSH	2
7	A06508	10" WHEEL	2
8	A06509	FLAT WASHER	2
9	A06510	NUT	4
10	A06511	10" OUTER WHEEL COVER	2
11	A06512	SPLIT PIN	1
12	A06513	BELT	1
13	A06514	GEARBOX	1
14	A06515	SPRING	1
15	A06516	PIN	2
16	A06517	NUT	4
17	A06518	SHAFT SLEEVE	2
18	A06519	BOLT	4
19	A06520	LOCK RING	4
20	A06521	FLAT WASHER	2
21	A06522	LEFT GEAR	1
22	A06523	RIGHT GEAR	1
23	A06524	FRONT WHEEL SHAFT	1
24	A06525	NUT	4
25	A06506	BOLT	4
26	A06527	NUT	1
27	A06528	7" WHEEL	2
28	A06529	7" WHEEL COVER	2
29	A06530	HEIGHT ADJUSTMENT SPRING	1
30	A06531	HEIGHT ADJUSTMENT CONNECTING ROD	1
31	A06532	SHAFT SLEEVE	4



POS.	CODE	DESCRIPTION	QTY
1	A06533	METAL BRACKET	1
2	A06534	FLAT WASHER	2
3	A06535	SCREW	4
4	A06536	FIXED PLATE	2
5	A06537	PLASTIC COVER	1
6	A06538	COVER PLATE	1
7	A06539	HANDLE COVER	1
8	A06540	INDICATED BOARD	1
9	A06541	FABRIC BAG	1